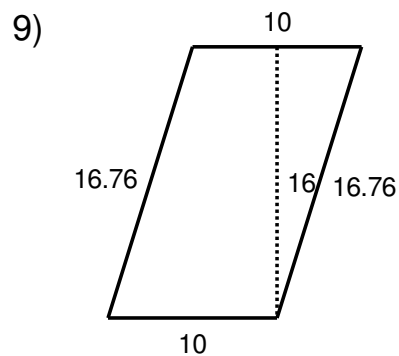
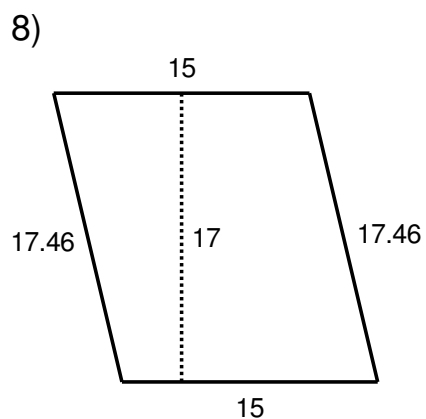
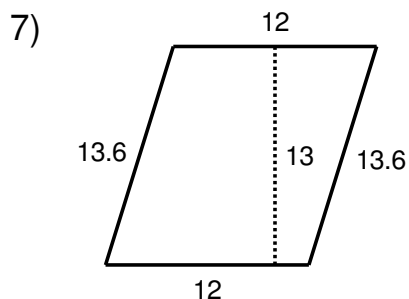
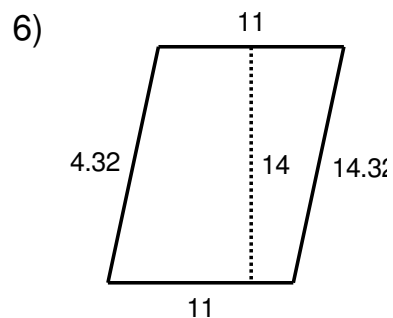
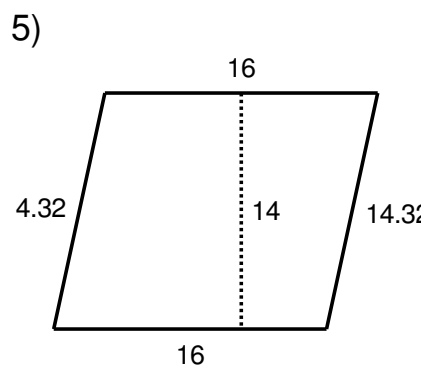
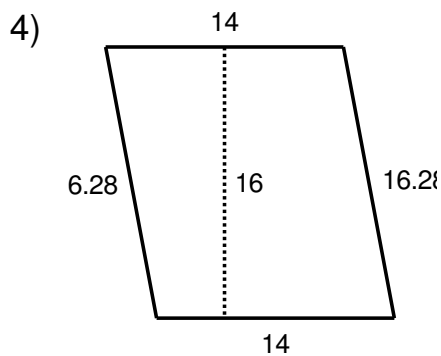
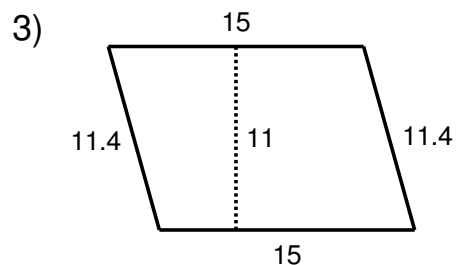
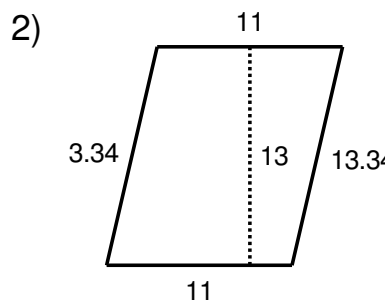
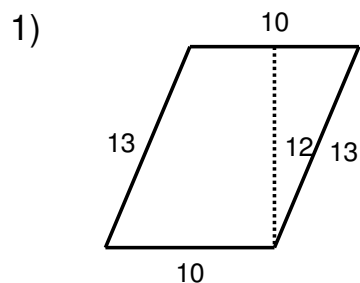


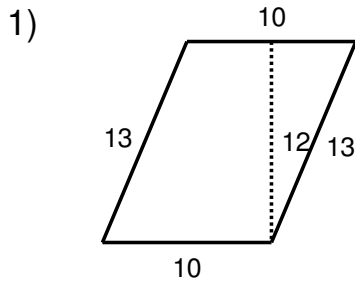
Perimeter of a Parallelogram

**Find the perimeter of each parallelogram.**

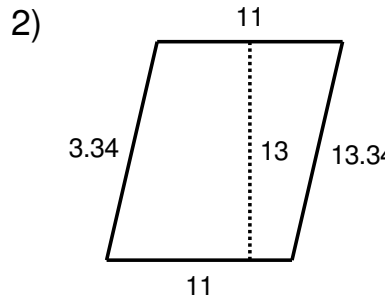


Perimeter of a Parallelogram

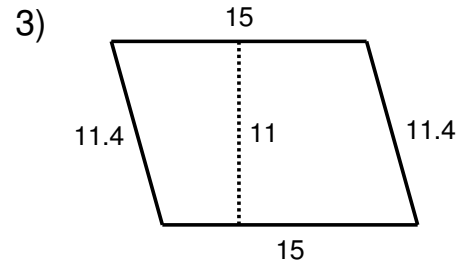
Find the perimeter of each parallelogram.



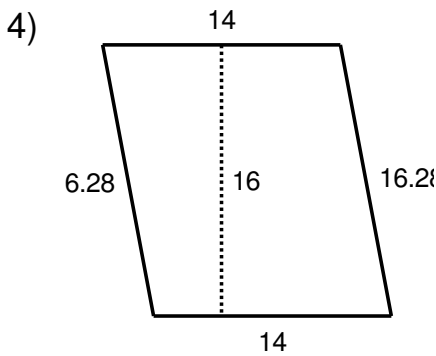
**Answer: 46**



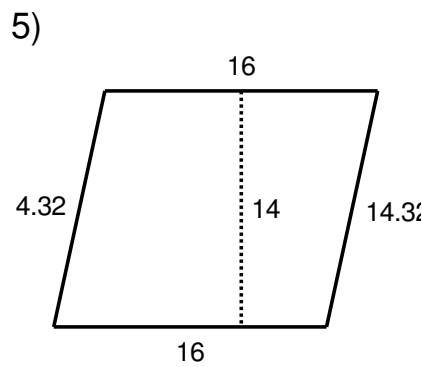
**Answer: 48.68**



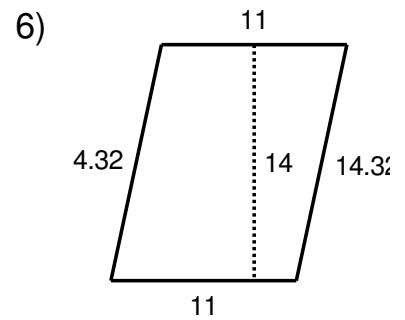
**Answer: 52.8**



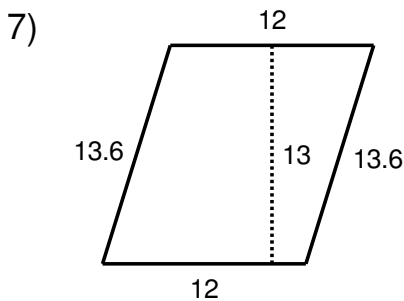
**Answer: 60.56**



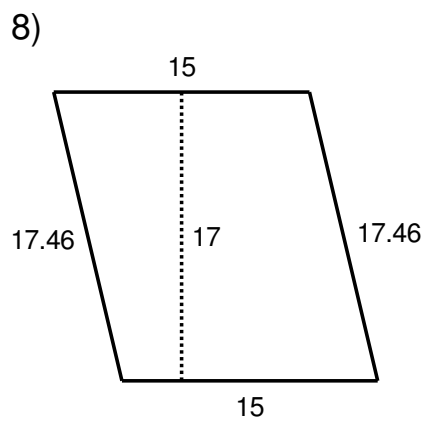
**Answer: 60.64**



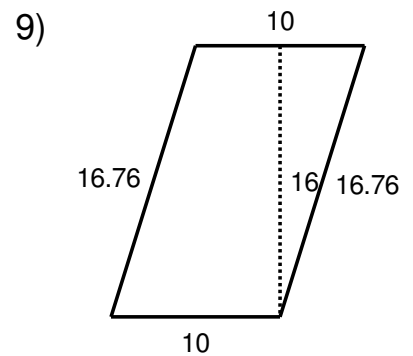
**Answer: 50.64**



**Answer: 51.2**

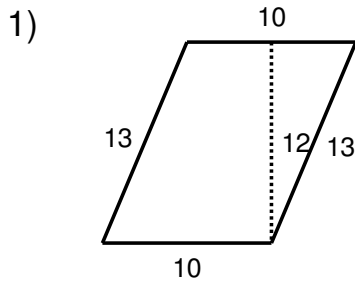


**Answer: 64.92**

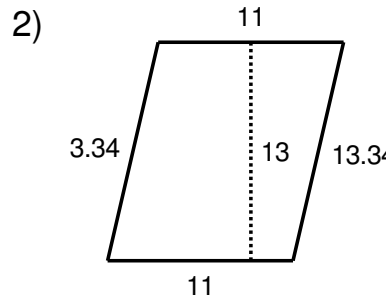


**Answer: 53.52**

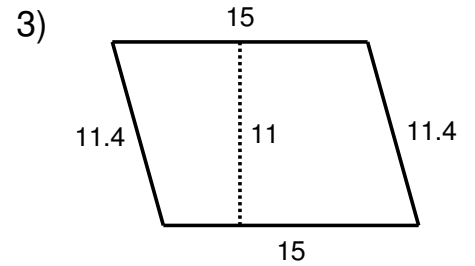
**Solution Steps**



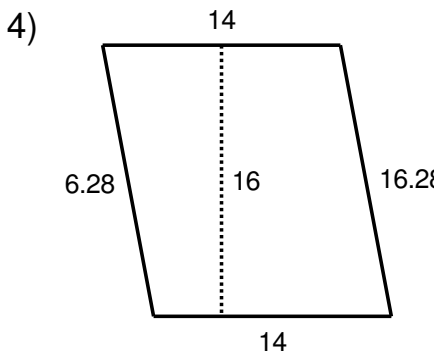
Perimeter = 2 \* Base + 2 \* Side  
 Perimeter = 2 \* 10 + 2 \* 13  
 Perimeter = 20 + 26  
 Perimeter = 46



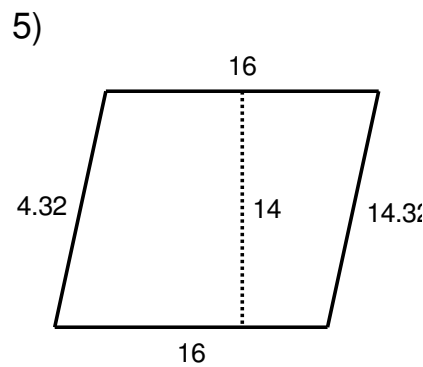
Perimeter = 2 \* Base + 2 \* Side  
 Perimeter = 2 \* 11 + 2 \* 13.34  
 Perimeter = 22 + 26.68  
 Perimeter = 48.68



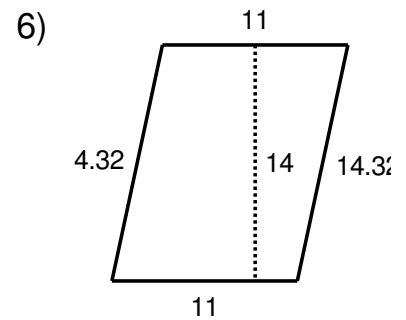
Perimeter = 2 \* Base + 2 \* Side  
 Perimeter = 2 \* 15 + 2 \* 11.4  
 Perimeter = 30 + 22.8  
 Perimeter = 52.8



Perimeter = 2 \* Base + 2 \* Side  
 Perimeter = 2 \* 14 + 2 \* 16.28  
 Perimeter = 28 + 32.56  
 Perimeter = 60.56

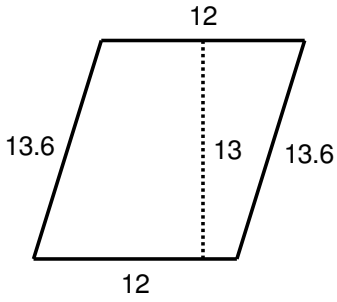


Perimeter = 2 \* Base + 2 \* Side  
 Perimeter = 2 \* 16 + 2 \* 14.32  
 Perimeter = 32 + 28.64  
 Perimeter = 60.64



Perimeter = 2 \* Base + 2 \* Side  
 Perimeter = 2 \* 11 + 2 \* 14.32  
 Perimeter = 22 + 28.64  
 Perimeter = 50.64

7)



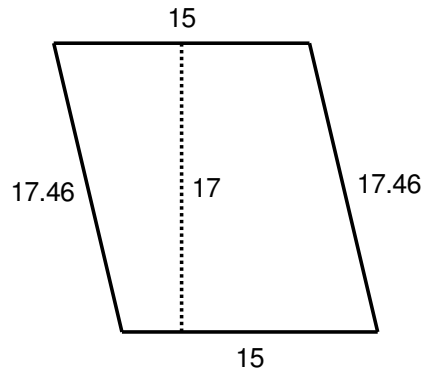
Perimeter = 2 \* Base + 2 \* Side

Perimeter = 2 \* 12 + 2 \* 13.6

Perimeter = 24 + 27.2

Perimeter = 51.2

8)



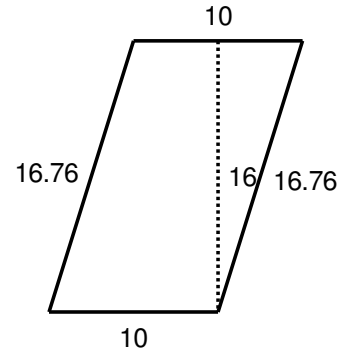
Perimeter = 2 \* Base + 2 \* Side

Perimeter = 2 \* 15 + 2 \* 17.46

Perimeter = 30 + 34.92

Perimeter = 64.92

9)



Perimeter = 2 \* Base + 2 \* Side

Perimeter = 2 \* 10 + 2 \* 16.76

Perimeter = 20 + 33.52

Perimeter = 53.52