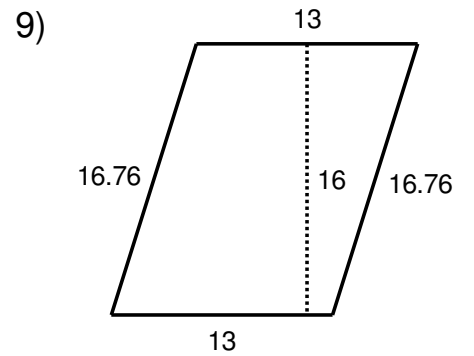
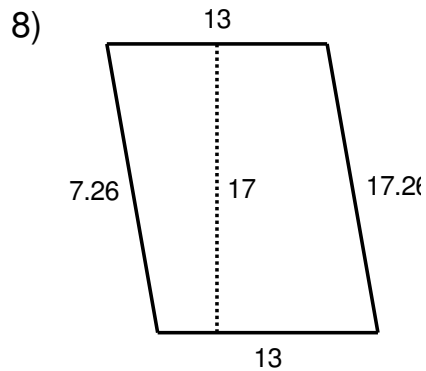
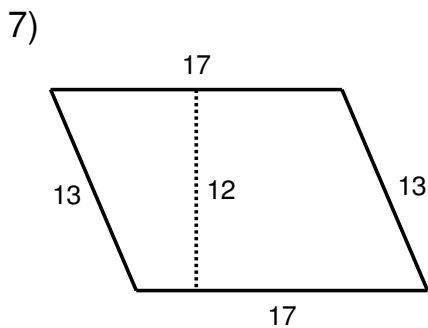
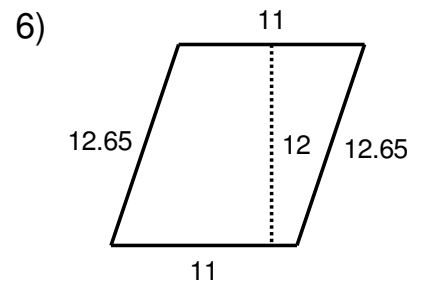
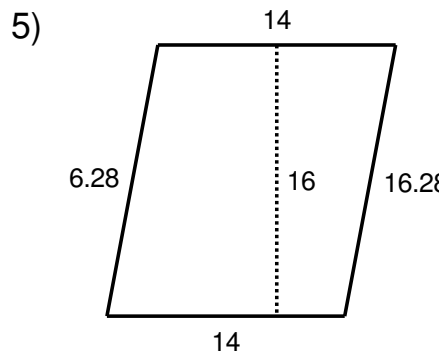
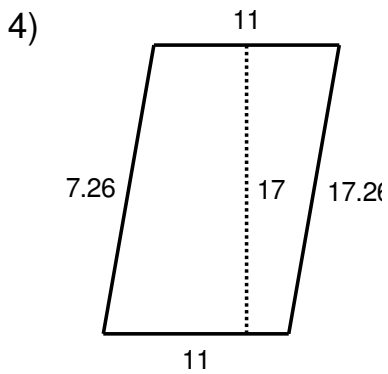
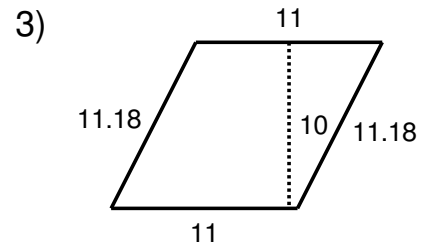
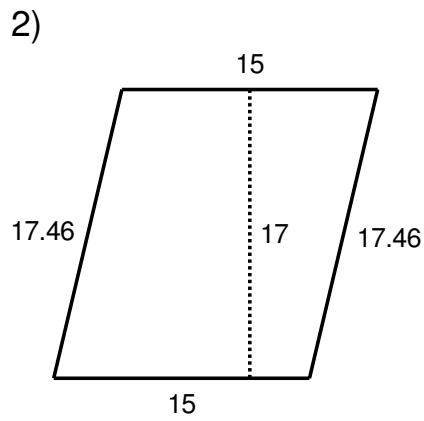
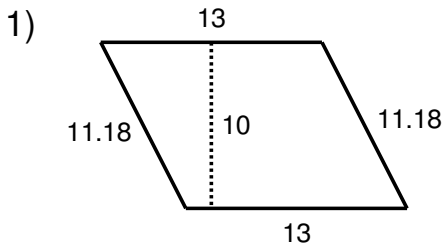


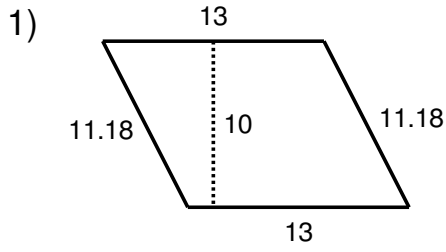
Perimeter of a Parallelogram

**Find the perimeter of each parallelogram.**

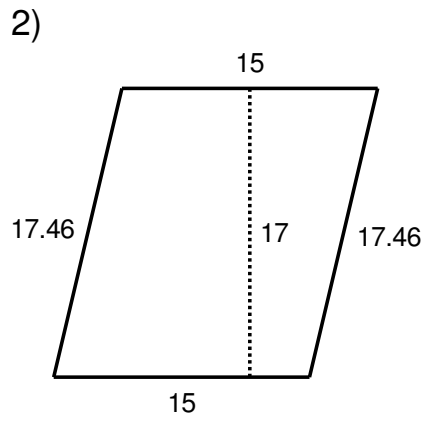


Perimeter of a Parallelogram

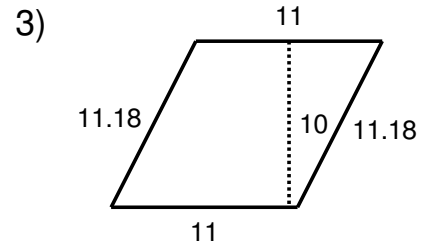
Find the perimeter of each parallelogram.



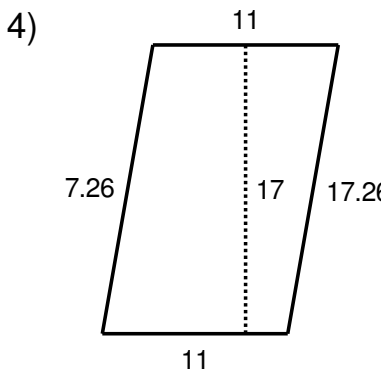
**Answer: 48.36**



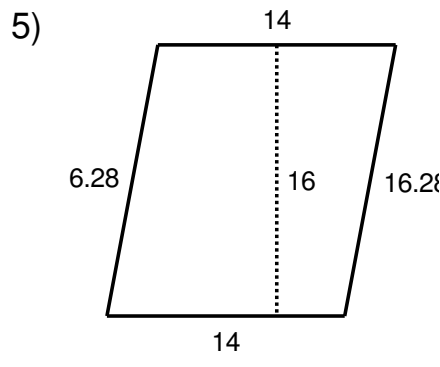
**Answer: 64.92**



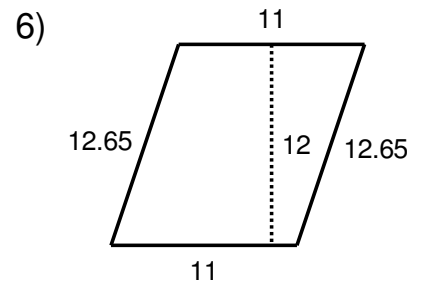
**Answer: 44.36**



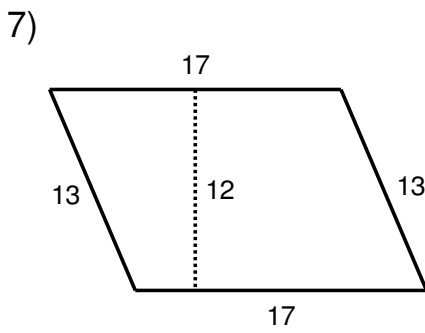
**Answer: 56.52**



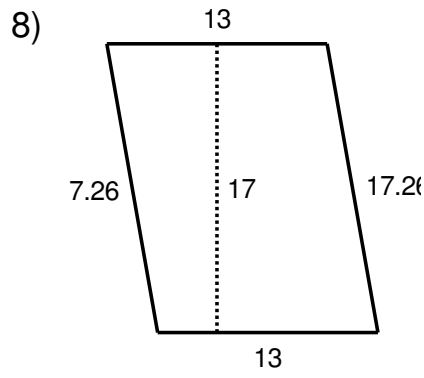
**Answer: 60.56**



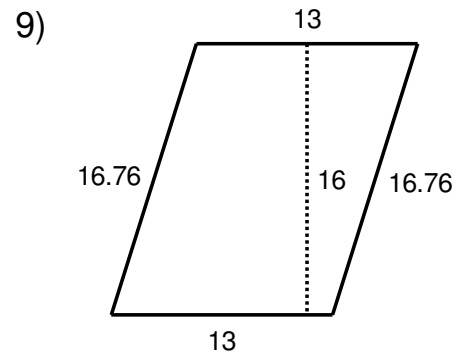
**Answer: 47.3**



**Answer: 60**

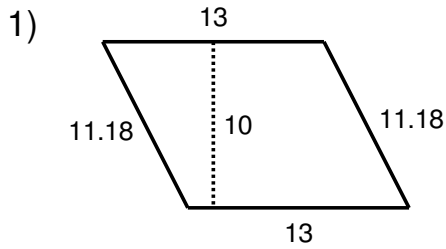


**Answer: 60.52**

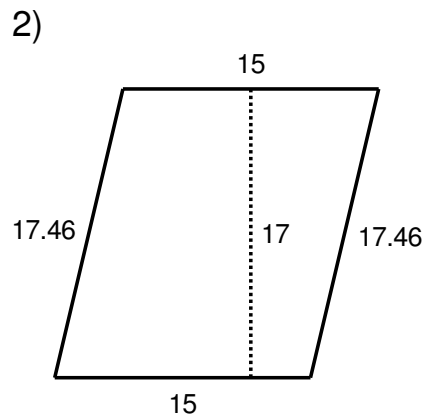


**Answer: 59.52**

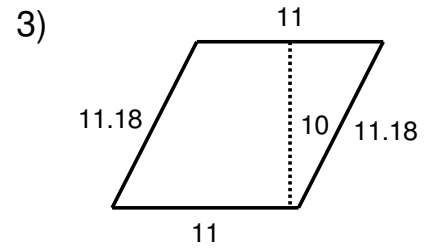
**Solution Steps**



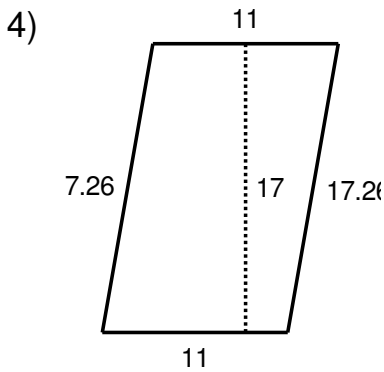
Perimeter = 2 \* Base + 2 \* Side  
 Perimeter = 2 \* 13 + 2 \* 11.18  
 Perimeter = 26 + 22.36  
 Perimeter = 48.36



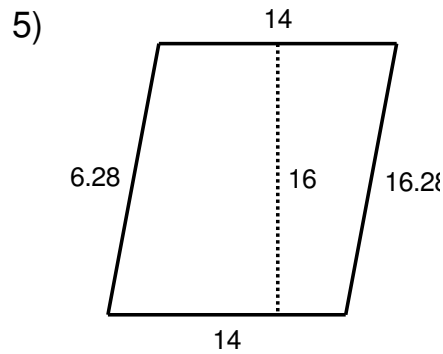
Perimeter = 2 \* Base + 2 \* Side  
 Perimeter = 2 \* 15 + 2 \* 17.46  
 Perimeter = 30 + 34.92  
 Perimeter = 64.92



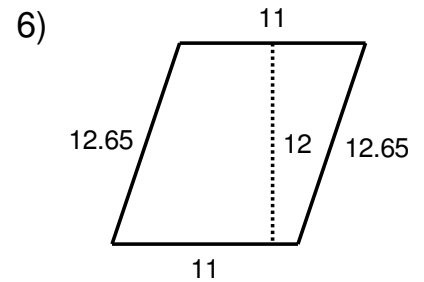
Perimeter = 2 \* Base + 2 \* Side  
 Perimeter = 2 \* 11 + 2 \* 11.18  
 Perimeter = 22 + 22.36  
 Perimeter = 44.36



Perimeter = 2 \* Base + 2 \* Side  
 Perimeter = 2 \* 11 + 2 \* 7.26  
 Perimeter = 22 + 14.52  
 Perimeter = 36.52

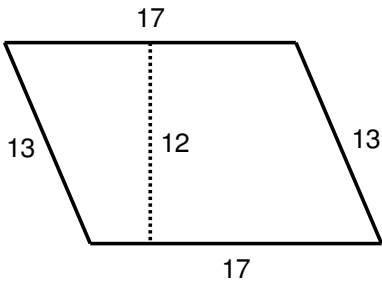


Perimeter = 2 \* Base + 2 \* Side  
 Perimeter = 2 \* 14 + 2 \* 6.28  
 Perimeter = 28 + 12.56  
 Perimeter = 40.56



Perimeter = 2 \* Base + 2 \* Side  
 Perimeter = 2 \* 11 + 2 \* 12.65  
 Perimeter = 22 + 25.3  
 Perimeter = 47.3

7)



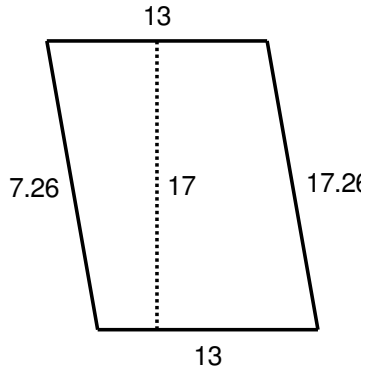
Perimeter = 2 \* Base + 2 \* Side

$$\text{Perimeter} = 2 * 17 + 2 * 13$$

$$\text{Perimeter} = 34 + 26$$

$$\text{Perimeter} = 60$$

8)



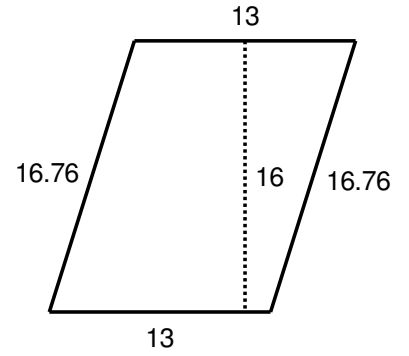
Perimeter = 2 \* Base + 2 \* Side

$$\text{Perimeter} = 2 * 13 + 2 * 17.26$$

$$\text{Perimeter} = 26 + 34.52$$

$$\text{Perimeter} = 60.52$$

9)



Perimeter = 2 \* Base + 2 \* Side

$$\text{Perimeter} = 2 * 13 + 2 * 16.76$$

$$\text{Perimeter} = 26 + 33.52$$

$$\text{Perimeter} = 59.52$$