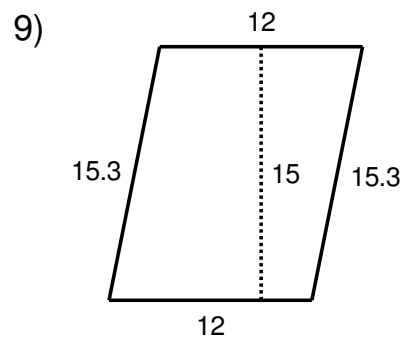
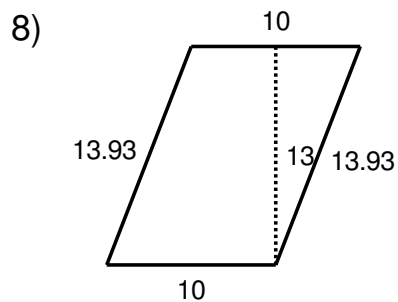
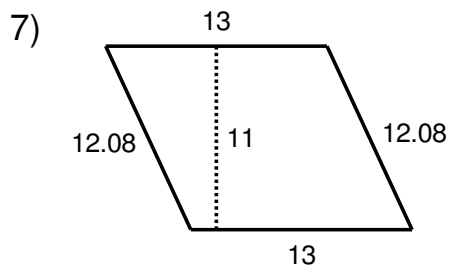
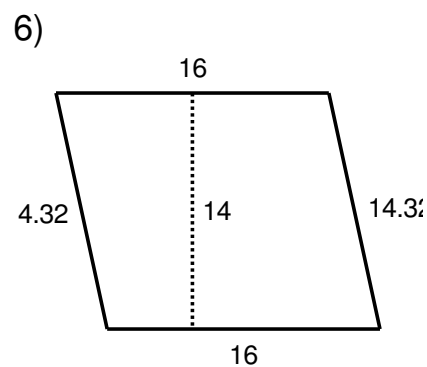
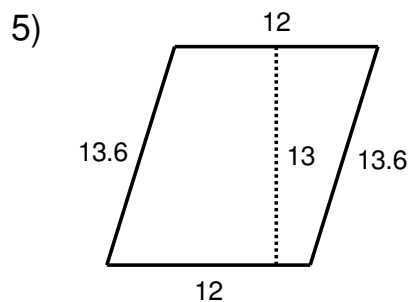
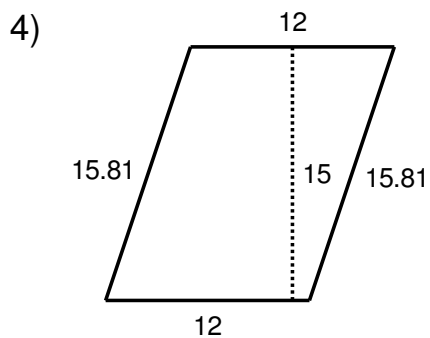
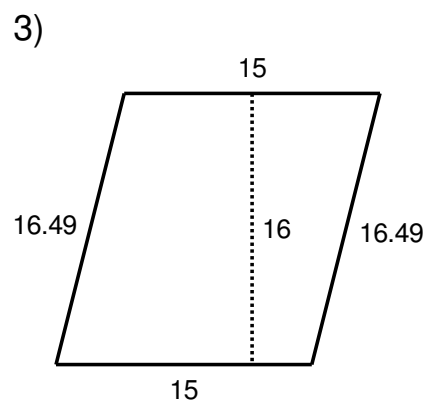
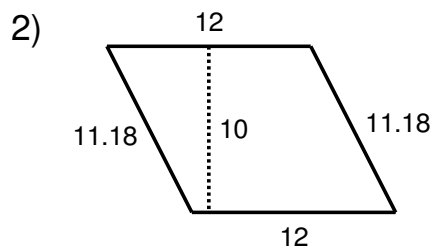
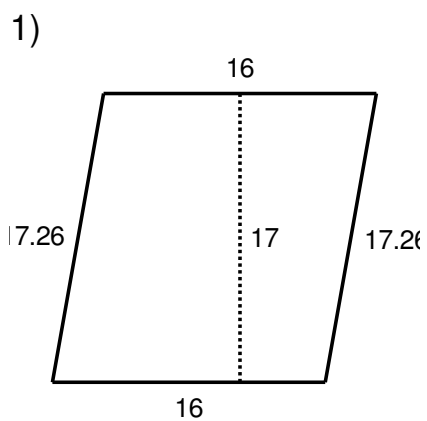


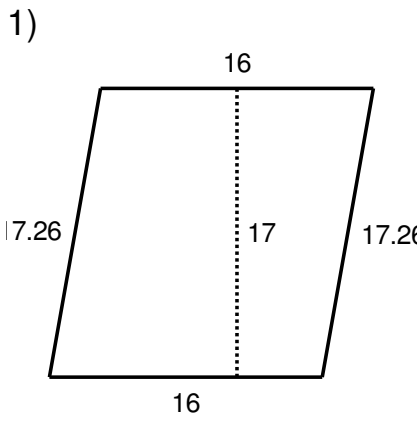
Perimeter of a Parallelogram

**Find the perimeter of each parallelogram.**

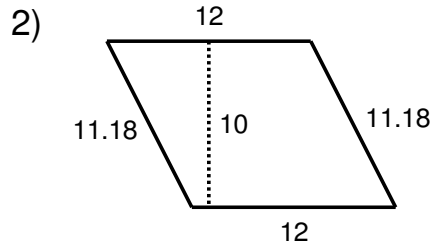


Perimeter of a Parallelogram

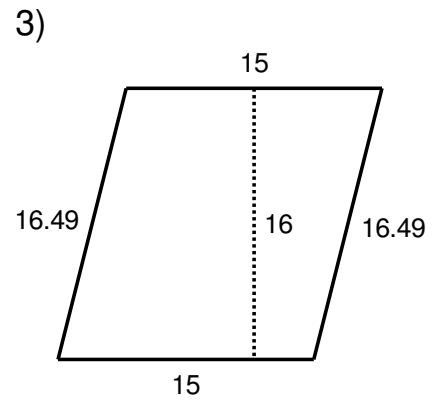
Find the perimeter of each parallelogram.



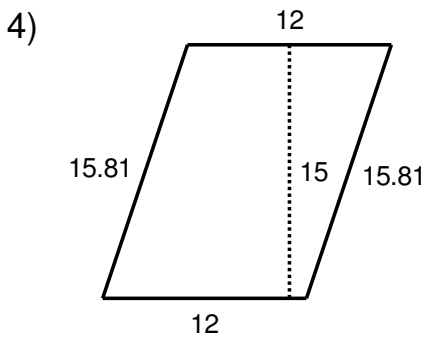
**Answer: 66.52**



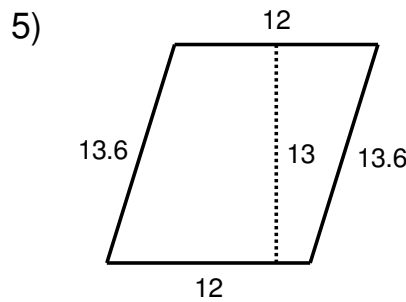
**Answer: 46.36**



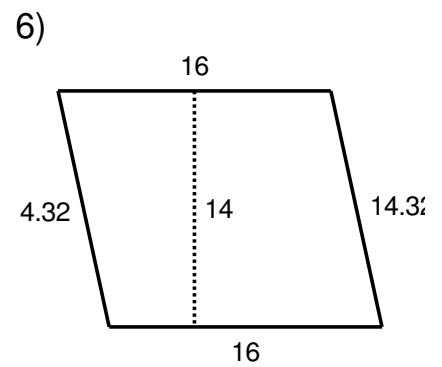
**Answer: 62.98**



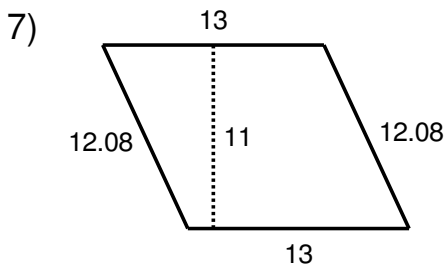
**Answer: 55.62**



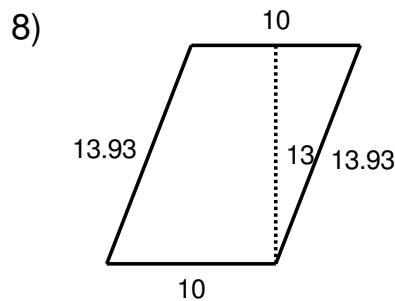
**Answer: 51.2**



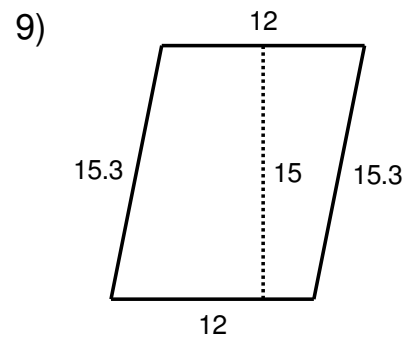
**Answer: 60.64**



**Answer: 50.16**

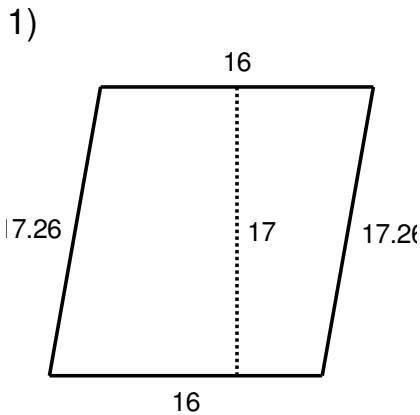


**Answer: 47.86**

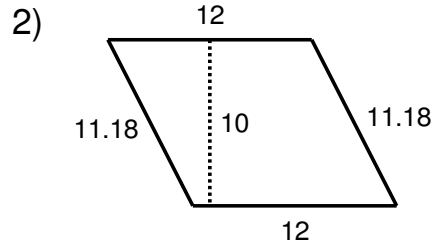


**Answer: 54.6**

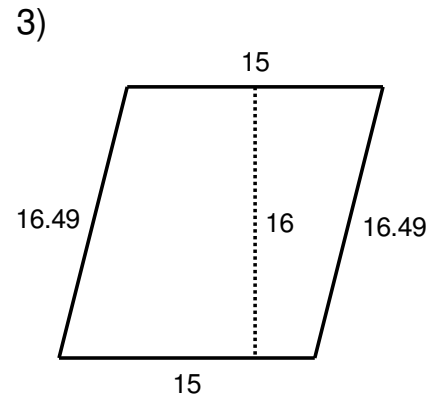
**Solution Steps**



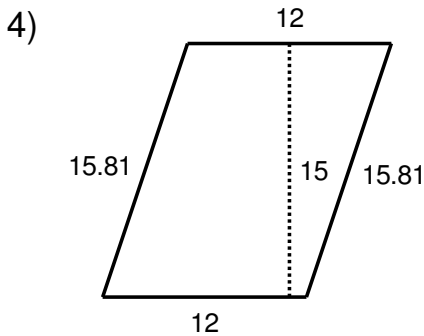
Perimeter = 2 \* Base + 2 \* Side  
 Perimeter = 2 \* 16 + 2 \* 17.26  
 Perimeter = 32 + 34.52  
 Perimeter = 66.52



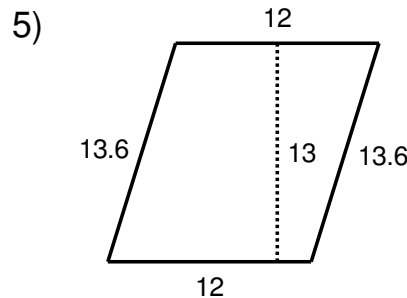
Perimeter = 2 \* Base + 2 \* Side  
 Perimeter = 2 \* 12 + 2 \* 11.18  
 Perimeter = 24 + 22.36  
 Perimeter = 46.36



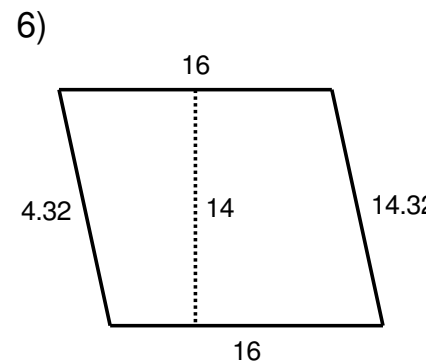
Perimeter = 2 \* Base + 2 \* Side  
 Perimeter = 2 \* 15 + 2 \* 16.49  
 Perimeter = 30 + 32.98  
 Perimeter = 62.98



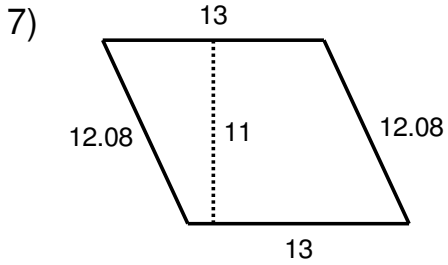
Perimeter = 2 \* Base + 2 \* Side  
 Perimeter = 2 \* 12 + 2 \* 15.81  
 Perimeter = 24 + 31.62  
 Perimeter = 55.62



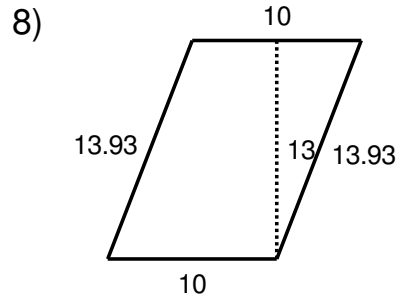
Perimeter = 2 \* Base + 2 \* Side  
 Perimeter = 2 \* 12 + 2 \* 13.6  
 Perimeter = 24 + 27.2  
 Perimeter = 51.2



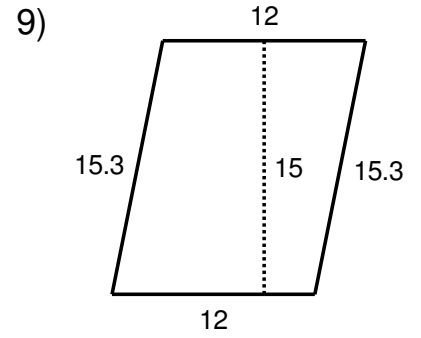
Perimeter = 2 \* Base + 2 \* Side  
 Perimeter = 2 \* 16 + 2 \* 14.32  
 Perimeter = 32 + 28.64  
 Perimeter = 60.64



Perimeter =  $2 * \text{Base} + 2 * \text{Side}$   
 Perimeter =  $2 * 13 + 2 * 12.08$   
 Perimeter =  $26 + 24.16$   
 Perimeter =  $50.16$



Perimeter =  $2 * \text{Base} + 2 * \text{Side}$   
 Perimeter =  $2 * 10 + 2 * 13.93$   
 Perimeter =  $20 + 27.86$   
 Perimeter =  $47.86$



Perimeter =  $2 * \text{Base} + 2 * \text{Side}$   
 Perimeter =  $2 * 12 + 2 * 15.3$   
 Perimeter =  $24 + 30.6$   
 Perimeter =  $54.6$