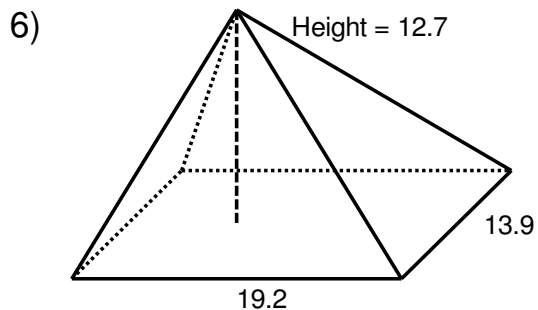
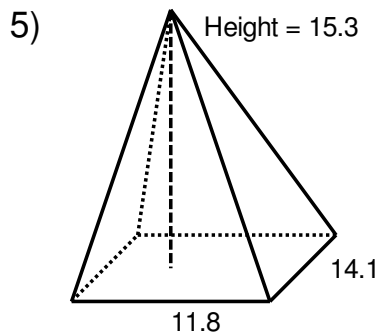
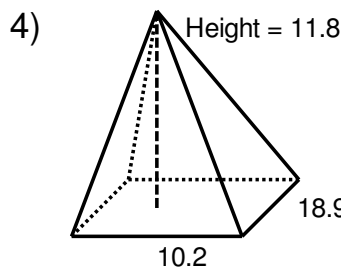
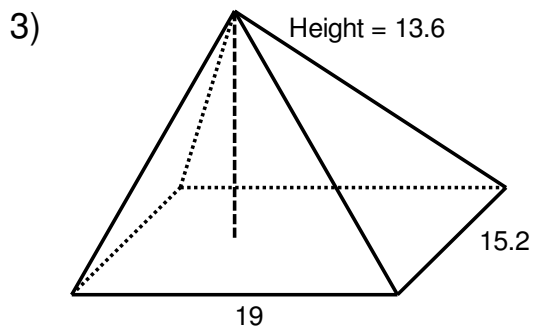
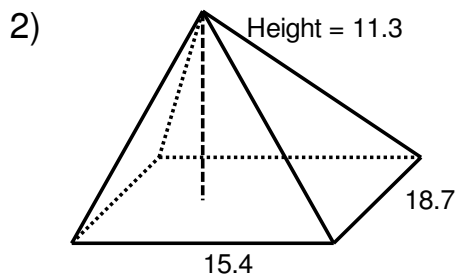
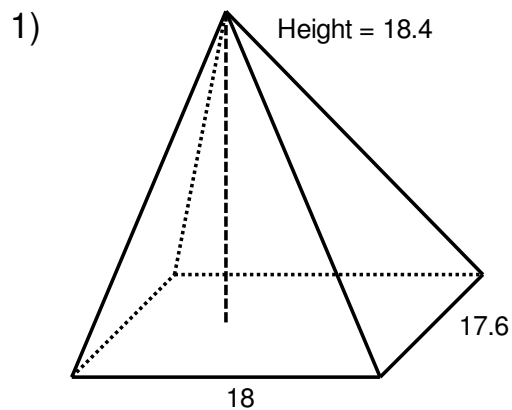


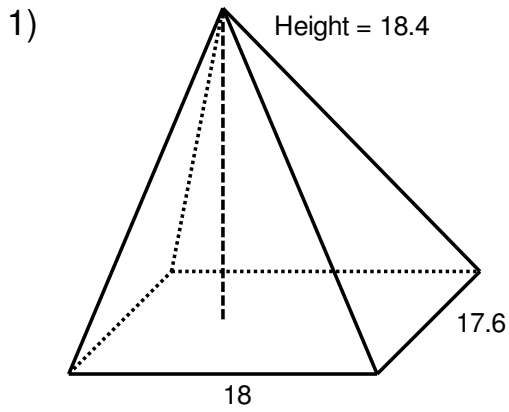
Volume of a Pyramid

Find the Volume of each pyramid.

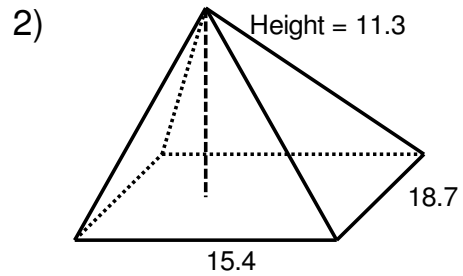


Volume of a Pyramid

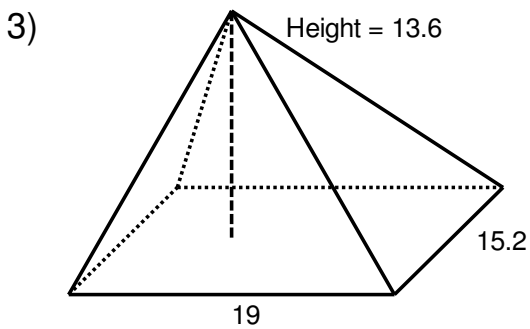
Find the Volume of each pyramid.



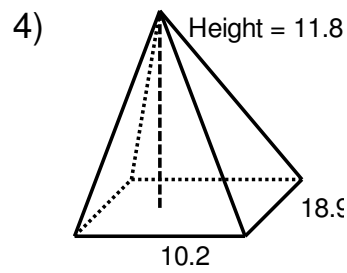
Answer: 1,943.04



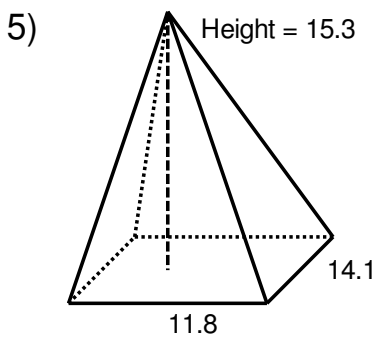
Answer: 1,084.72



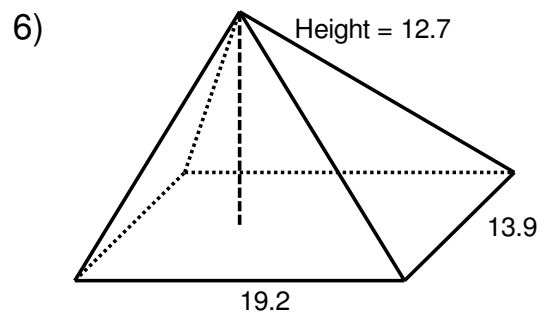
Answer: 1,309.23



Answer: 758.27



Answer: 848.54

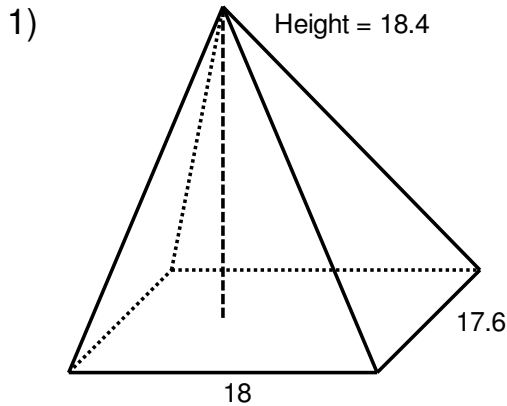


Answer: 1,129.79

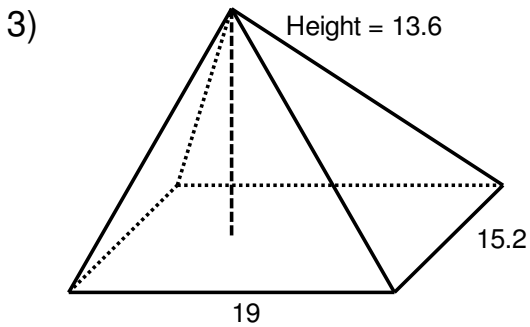
Volume of a Pyramid

Date _____ Period _____

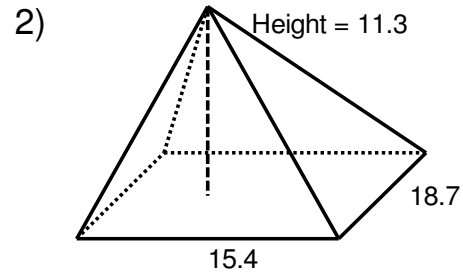
Solution Steps



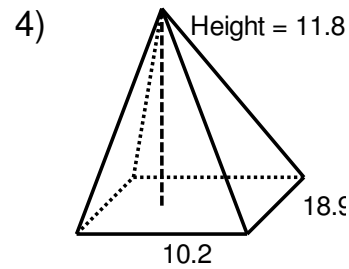
$$\text{Volume} = \frac{1}{3} * \text{Length} * \text{Width} * \text{Height}$$
$$\text{Volume} = \frac{1}{3} * 18 * 17.6 * 18.4$$
$$\text{Volume} = 1,943.04$$



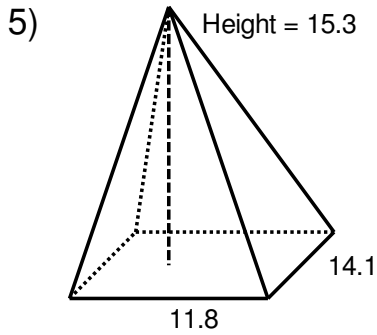
$$\text{Volume} = \frac{1}{3} * \text{Length} * \text{Width} * \text{Height}$$
$$\text{Volume} = \frac{1}{3} * 19 * 15.2 * 13.6$$
$$\text{Volume} = 1,309.23$$



$$\text{Volume} = \frac{1}{3} * \text{Length} * \text{Width} * \text{Height}$$
$$\text{Volume} = \frac{1}{3} * 15.4 * 18.7 * 11.3$$
$$\text{Volume} = 1,084.72$$



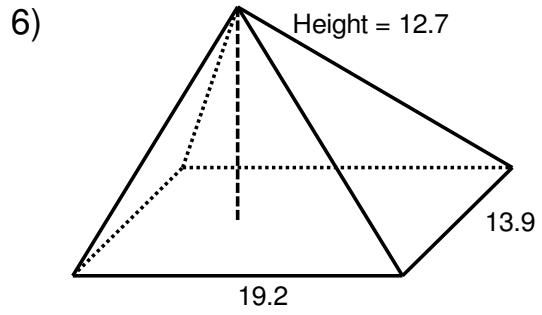
$$\text{Volume} = \frac{1}{3} * \text{Length} * \text{Width} * \text{Height}$$
$$\text{Volume} = \frac{1}{3} * 10.2 * 18.9 * 11.8$$
$$\text{Volume} = 758.27$$



$$\text{Volume} = \frac{1}{3} * \text{Length} * \text{Width} * \text{Height}$$

$$\text{Volume} = \frac{1}{3} * 11.8 * 14.1 * 15.3$$

$$\text{Volume} = 848.54$$



$$\text{Volume} = \frac{1}{3} * \text{Length} * \text{Width} * \text{Height}$$

$$\text{Volume} = \frac{1}{3} * 19.2 * 13.9 * 12.7$$

$$\text{Volume} = 1,129.79$$