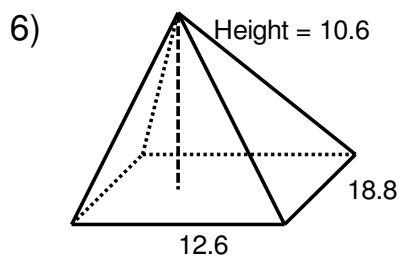
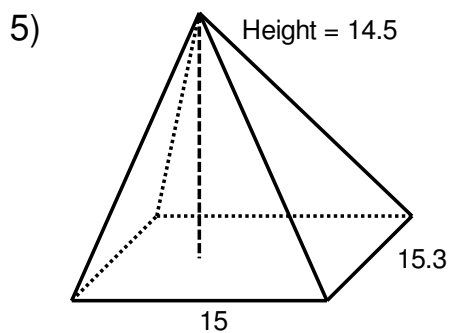
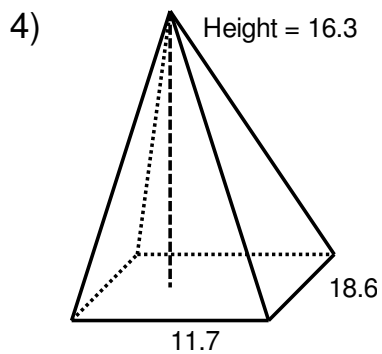
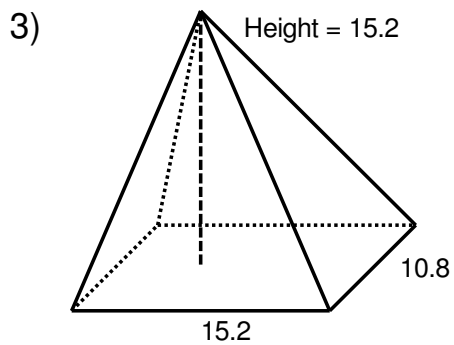
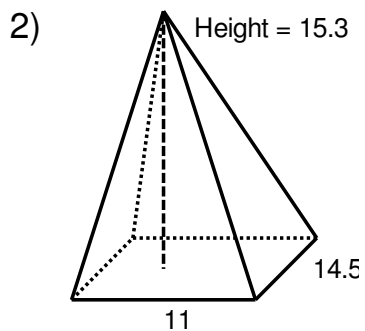
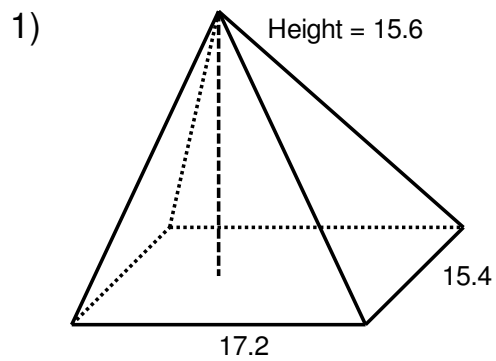


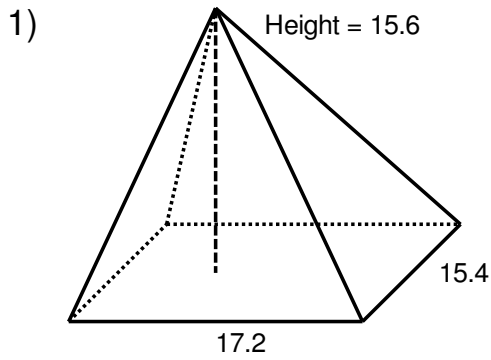
Volume of a Pyramid

**Find the Volume of each pyramid.**

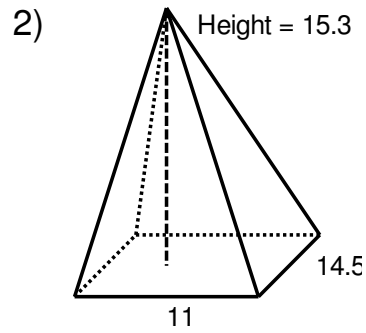


Volume of a Pyramid

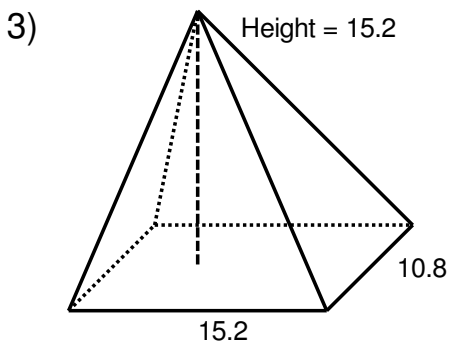
Find the Volume of each pyramid.



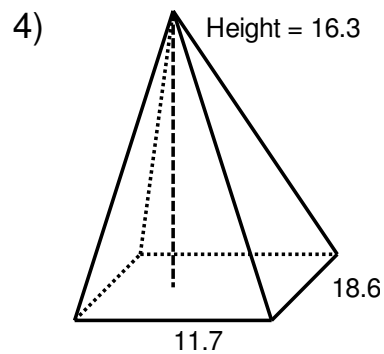
Answer: 1,377.38



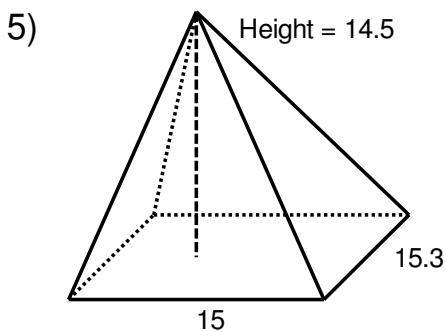
Answer: 813.45



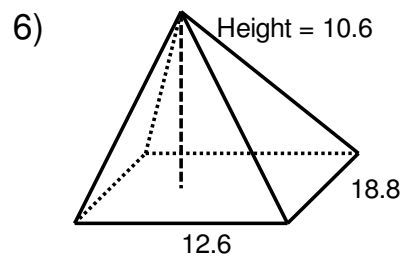
Answer: 831.74



Answer: 1,182.4

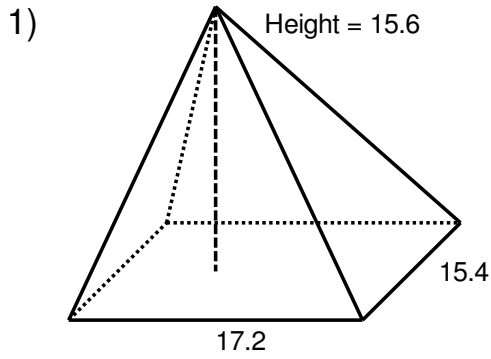


Answer: 1,109.25



Answer: 836.98

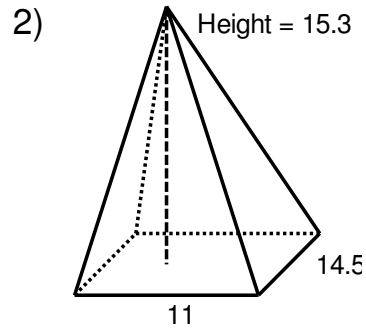
**Solution Steps**



$$\text{Volume} = \frac{1}{3} * \text{Length} * \text{Width} * \text{Height}$$

$$\text{Volume} = \frac{1}{3} * 17.2 * 15.4 * 15.6$$

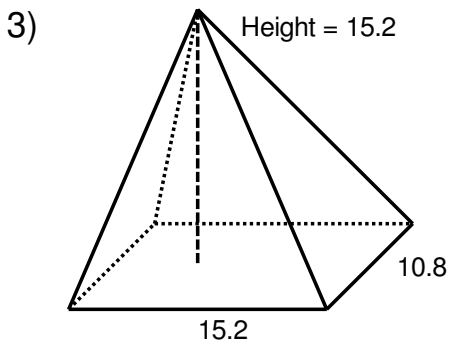
$$\text{Volume} = 1,377.38$$



$$\text{Volume} = \frac{1}{3} * \text{Length} * \text{Width} * \text{Height}$$

$$\text{Volume} = \frac{1}{3} * 11 * 14.5 * 15.3$$

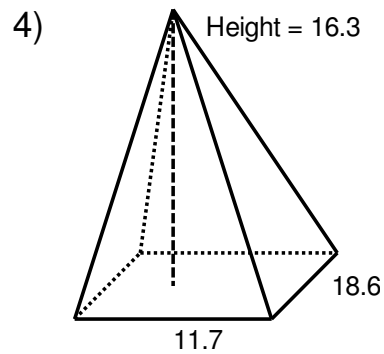
$$\text{Volume} = 813.45$$



$$\text{Volume} = \frac{1}{3} * \text{Length} * \text{Width} * \text{Height}$$

$$\text{Volume} = \frac{1}{3} * 15.2 * 10.8 * 15.2$$

$$\text{Volume} = 831.74$$

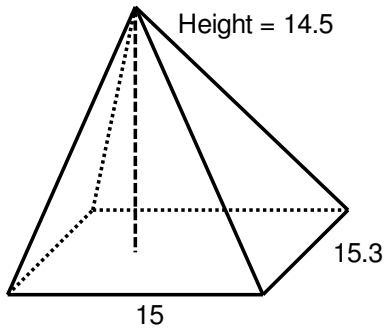


$$\text{Volume} = \frac{1}{3} * \text{Length} * \text{Width} * \text{Height}$$

$$\text{Volume} = \frac{1}{3} * 11.7 * 18.6 * 16.3$$

$$\text{Volume} = 1,182.4$$

5)

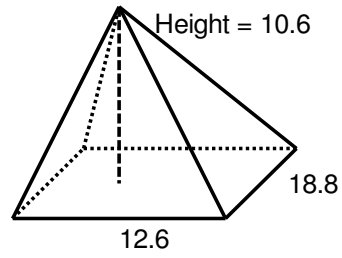


$$\text{Volume} = \frac{1}{3} * \text{Length} * \text{Width} * \text{Height}$$

$$\text{Volume} = \frac{1}{3} * 15 * 15.3 * 14.5$$

$$\text{Volume} = 1,109.25$$

6)



$$\text{Volume} = \frac{1}{3} * \text{Length} * \text{Width} * \text{Height}$$

$$\text{Volume} = \frac{1}{3} * 12.6 * 18.8 * 10.6$$

$$\text{Volume} = 836.98$$