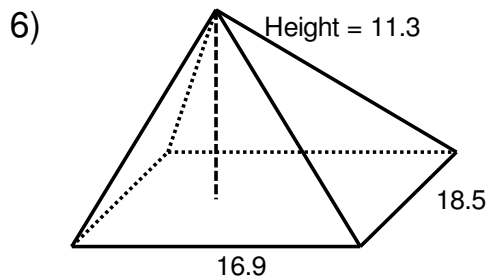
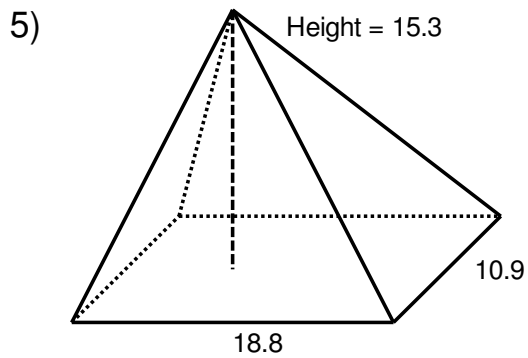
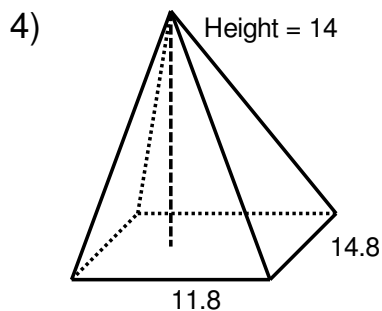
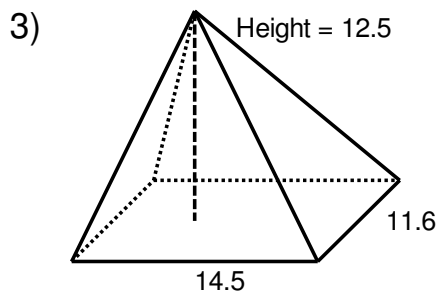
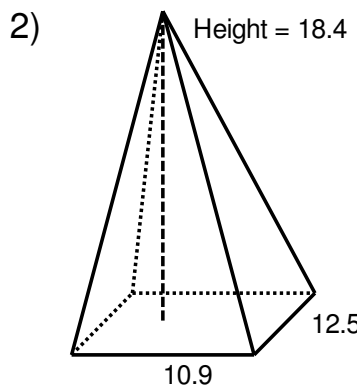
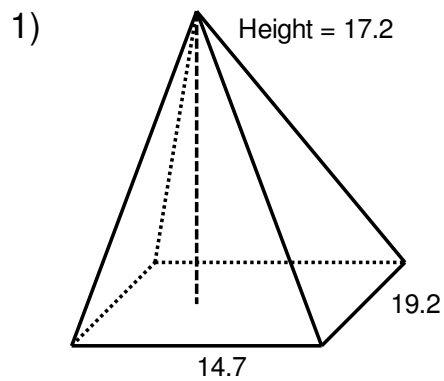


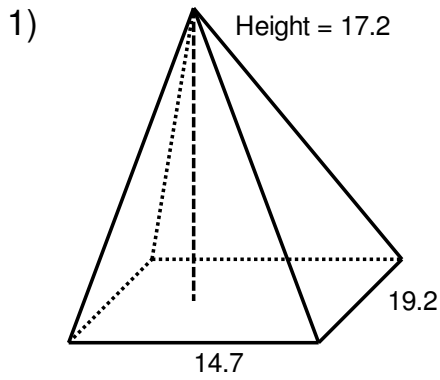
Volume of a Pyramid

Find the Volume of each pyramid.

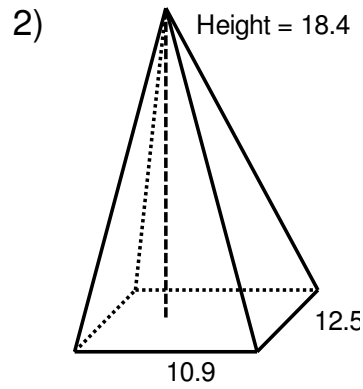


Volume of a Pyramid

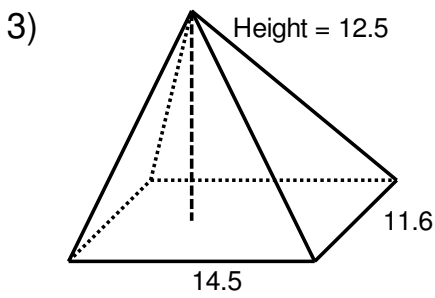
Find the Volume of each pyramid.



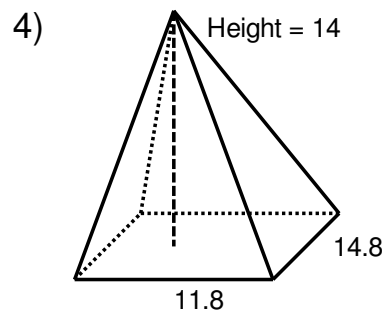
Answer: 1,618.18



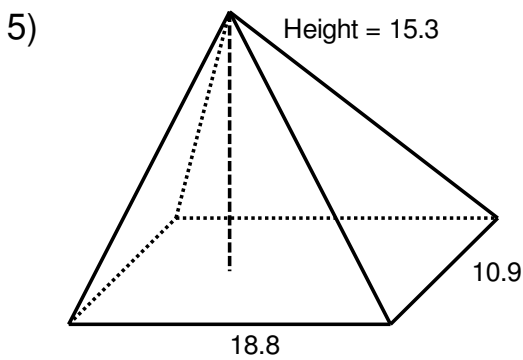
Answer: 835.67



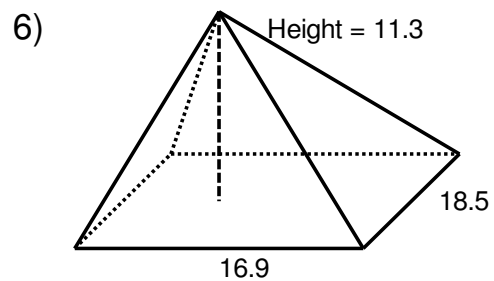
Answer: 700.83



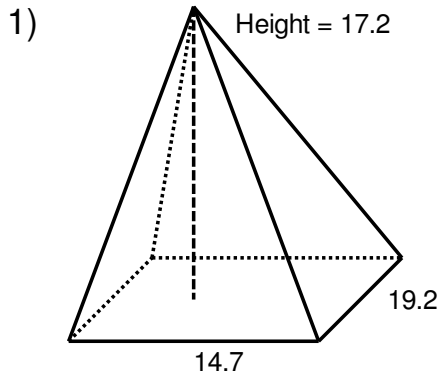
Answer: 814.99



Answer: 1,045.09



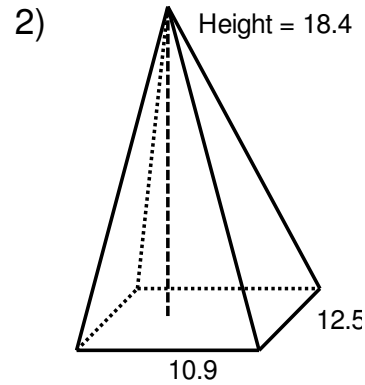
Answer: 1,177.65

Solution Steps

$$\text{Volume} = \frac{1}{3} * \text{Length} * \text{Width} * \text{Height}$$

$$\text{Volume} = \frac{1}{3} * 14.7 * 19.2 * 17.2$$

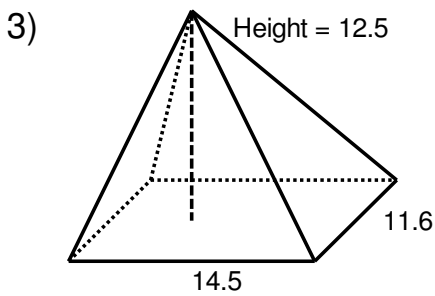
$$\text{Volume} = 1,618.18$$



$$\text{Volume} = \frac{1}{3} * \text{Length} * \text{Width} * \text{Height}$$

$$\text{Volume} = \frac{1}{3} * 10.9 * 12.5 * 18.4$$

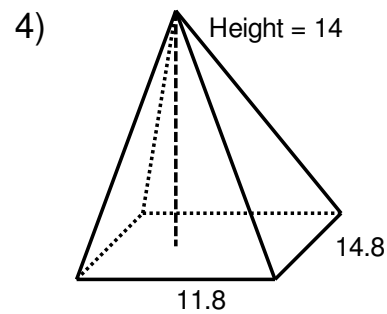
$$\text{Volume} = 835.67$$



$$\text{Volume} = \frac{1}{3} * \text{Length} * \text{Width} * \text{Height}$$

$$\text{Volume} = \frac{1}{3} * 14.5 * 11.6 * 12.5$$

$$\text{Volume} = 700.83$$

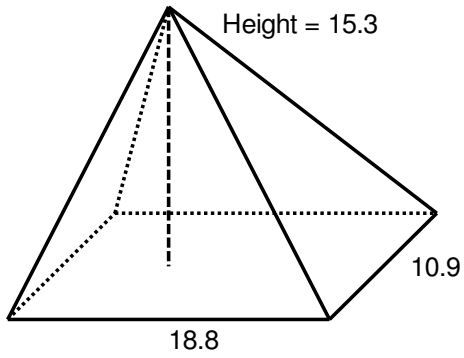


$$\text{Volume} = \frac{1}{3} * \text{Length} * \text{Width} * \text{Height}$$

$$\text{Volume} = \frac{1}{3} * 11.8 * 14.8 * 14$$

$$\text{Volume} = 814.99$$

5)

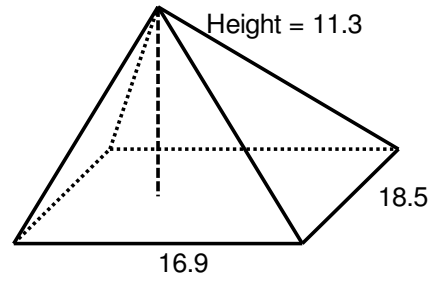


$$\text{Volume} = \frac{1}{3} * \text{Length} * \text{Width} * \text{Height}$$

$$\text{Volume} = \frac{1}{3} * 18.8 * 10.9 * 15.3$$

$$\text{Volume} = 1,045.09$$

6)



$$\text{Volume} = \frac{1}{3} * \text{Length} * \text{Width} * \text{Height}$$

$$\text{Volume} = \frac{1}{3} * 16.9 * 18.5 * 11.3$$

$$\text{Volume} = 1,177.65$$