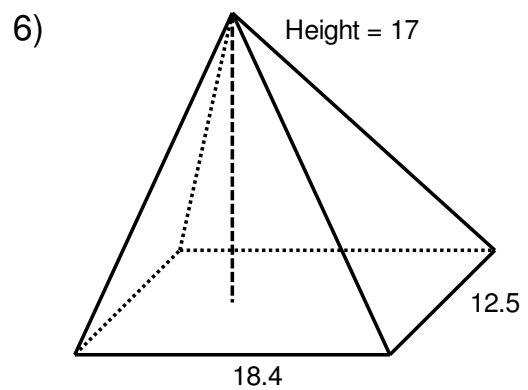
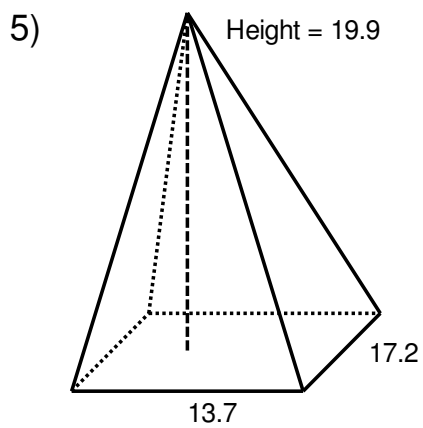
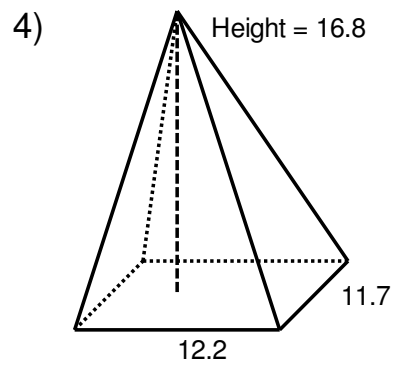
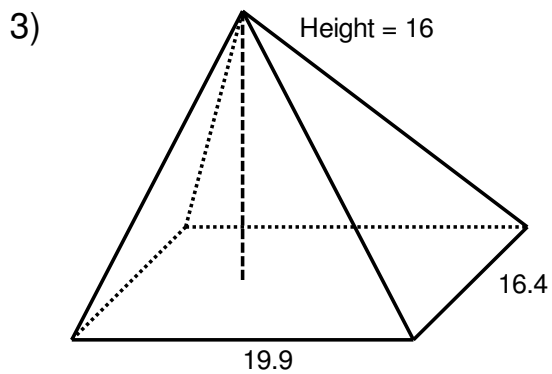
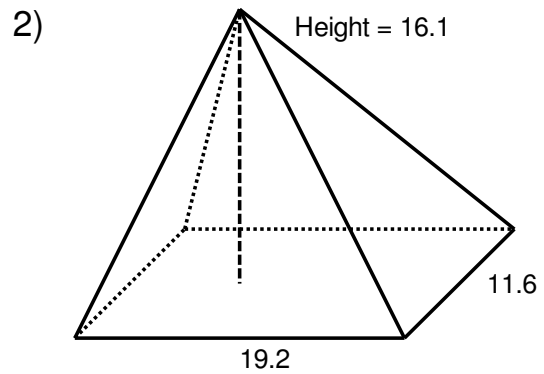
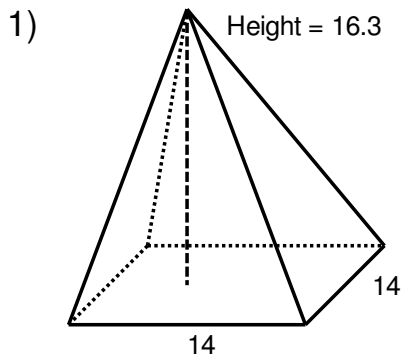


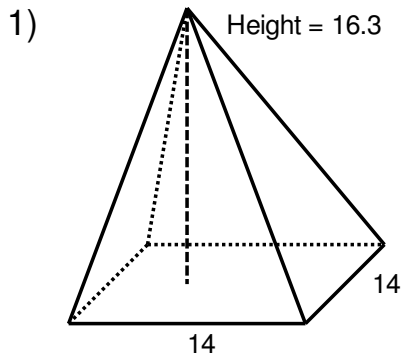
Volume of a Pyramid

Find the Volume of each pyramid.

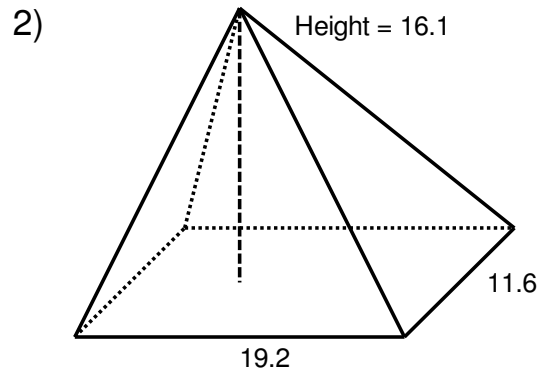


Volume of a Pyramid

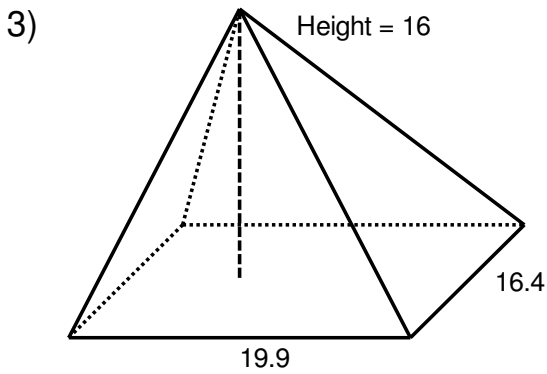
Find the Volume of each pyramid.



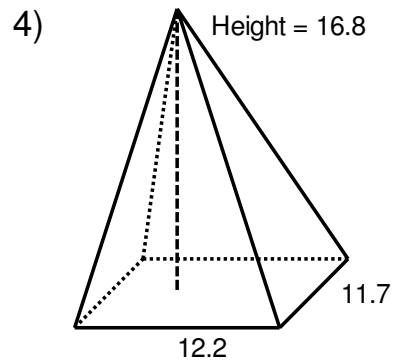
Answer: 1,064.93



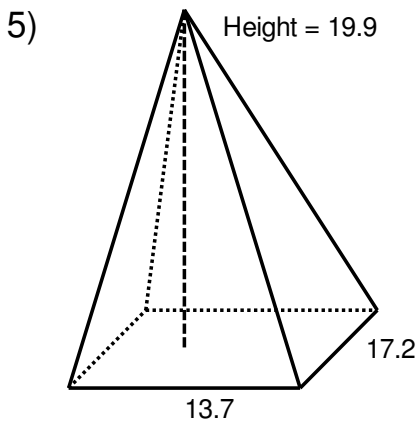
Answer: 1,195.26



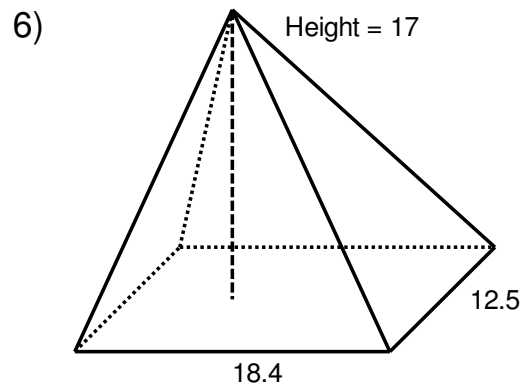
Answer: 1,740.59



Answer: 799.34

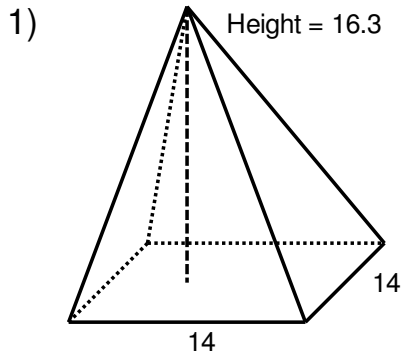


Answer: 1,563.08



Answer: 1,303.33

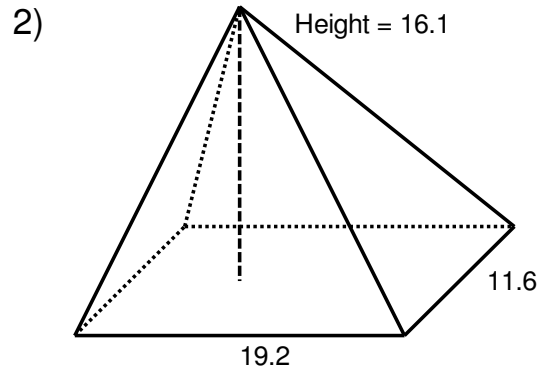
Solution Steps



$$\text{Volume} = \frac{1}{3} * \text{Length} * \text{Width} * \text{Height}$$

$$\text{Volume} = \frac{1}{3} * 14 * 14 * 16.3$$

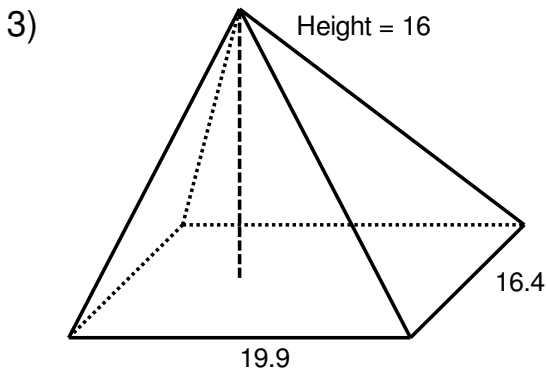
$$\text{Volume} = 1,064.93$$



$$\text{Volume} = \frac{1}{3} * \text{Length} * \text{Width} * \text{Height}$$

$$\text{Volume} = \frac{1}{3} * 19.2 * 11.6 * 16.1$$

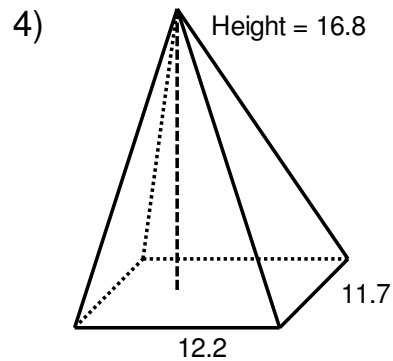
$$\text{Volume} = 1,195.26$$



$$\text{Volume} = \frac{1}{3} * \text{Length} * \text{Width} * \text{Height}$$

$$\text{Volume} = \frac{1}{3} * 19.9 * 16.4 * 16$$

$$\text{Volume} = 1,740.59$$

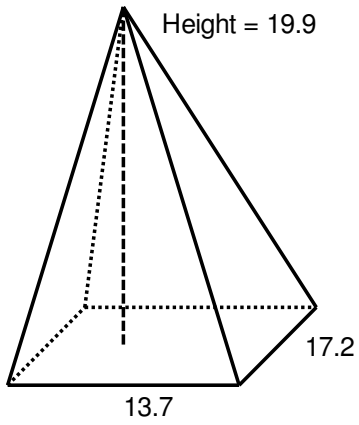


$$\text{Volume} = \frac{1}{3} * \text{Length} * \text{Width} * \text{Height}$$

$$\text{Volume} = \frac{1}{3} * 12.2 * 11.7 * 16.8$$

$$\text{Volume} = 799.34$$

5)

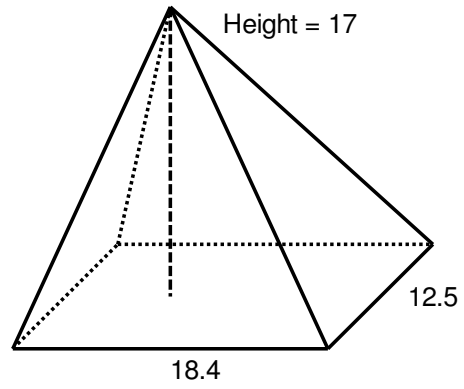


$$\text{Volume} = \frac{1}{3} * \text{Length} * \text{Width} * \text{Height}$$

$$\text{Volume} = \frac{1}{3} * 13.7 * 17.2 * 19.9$$

$$\text{Volume} = 1,563.08$$

6)



$$\text{Volume} = \frac{1}{3} * \text{Length} * \text{Width} * \text{Height}$$

$$\text{Volume} = \frac{1}{3} * 18.4 * 12.5 * 17$$

$$\text{Volume} = 1,303.33$$